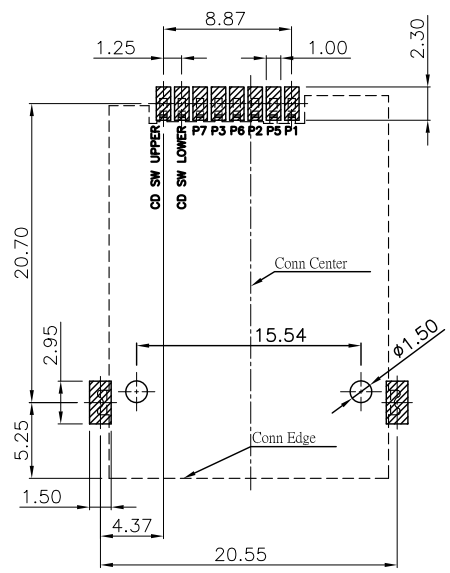
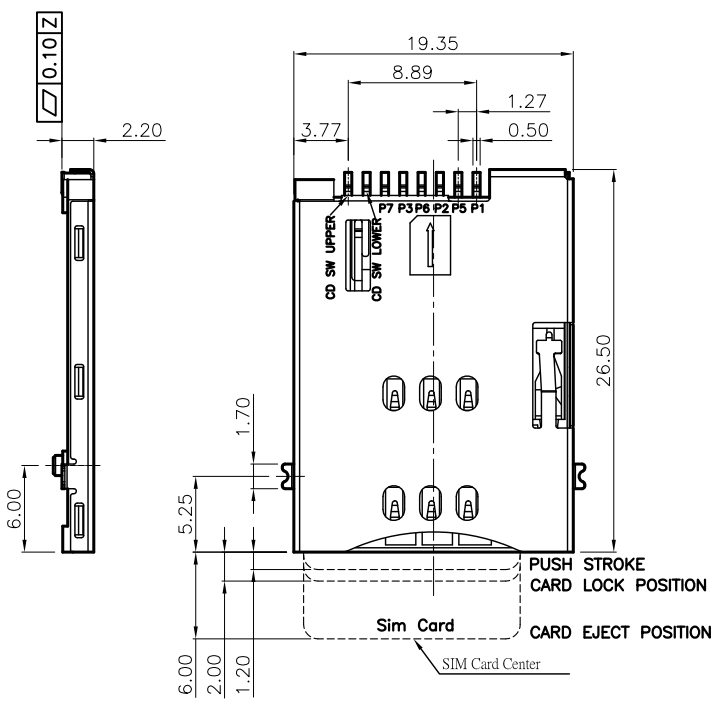
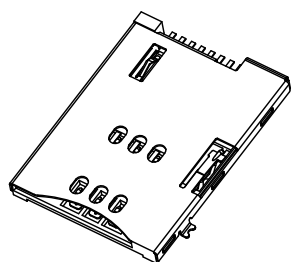
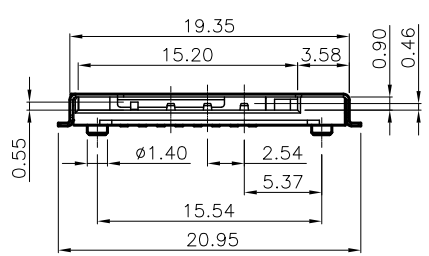


REV.	DESCRIPTION	DATE
A	RELEASE	Apr 29, 2014



RECOMMEND PCB LAYOUT  
TOLERANCE:  $\pm 0.05$   
TOP VIEW

- PAD AREA
- KEEP AREA
- KEEP OUT AREA



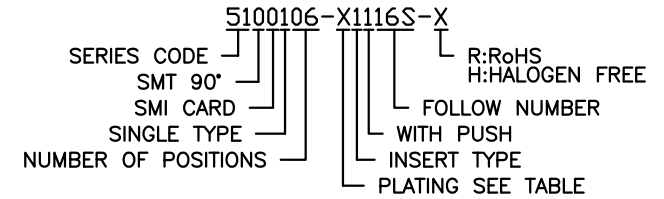
**MATERIALS**

- HOUSING : THERMOPLASTIC (UL 94V-0).
- TERMINAL : COPPER ALLOY, PLATING SEE TABLE.
- SHELL : SUS.

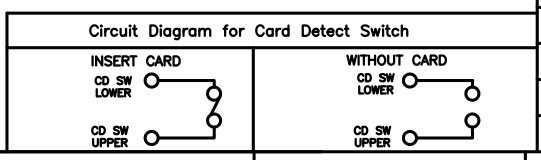
**SPECIFICATION**

- CURRENT RATING : 0.5 A. MAX.
- DIELECTRIC WITHSTANDING VOLTAGE : 500V AC R.M.S. FOR 1 MINUTE.
- INSULATION RESISTANCE : 100M $\Omega$  MIN. AT 500V DC.
- CONTACT RESISTANCE : 100m $\Omega$  MAX.
- OPERATING TEMPERATURE : -40°C TO +85°C.
- MATING CYCLES : 5000 INSERTIONS.

**PART NUMBER INFORMATION :**



DESCRIPTION OF PLATING ON TERMINALS			
NO.	EXPLAIN	NO.	EXPLAIN
0	GOLD FLASH	3	GOLD 15u"
1	GOLD 5u"	4	GOLD 20u"
2	GOLD 10u"	H	G/F + TIN



CONNECTOR TERMINAL NO.	Pin NO.
Pin 1	VCC:PWR SIGNAL AND GND
Pin 2	RST:RESET SIGNAL
Pin 3	CLK:CLOCKING SIGNAL
Pin 5	GND:PWR SIGNAL AND GND
Pin 6	VPP:PROGRAMMING VOLTAGE
Pin 7	I/O:SERIAL DATA INPUT/OUTPUT

TOLERANCE		DRAWER	
.0= $\pm 0.25$	.00= $\pm 0.15$		CHECK
.000= $\pm 0.05$	ANG. = $\pm 3^\circ$	APP'D	
UNITS : mm		PRODUCT SPEC.	
SCALE NONE	SIZE A6	SHEET 1 OF 1	REV. A

**INMO**  
东莞市英墨电子有限公司  
INMO Electronics Co.,Ltd

NAME  
SIM SOCKET 6PIN PUSH PUSH  
有定柱有横测PIN 2.2H

DRAW NO.  
R5100106-X1116S-X